
PRODUCT FEATURES
DAB 6-pole 140mm Constant Impedance Combiner

- Dual Cross-Coupling
- Full-band tunable
- DC-Short
- Temperature compensated
- Stainless steel frame

OPTIONS

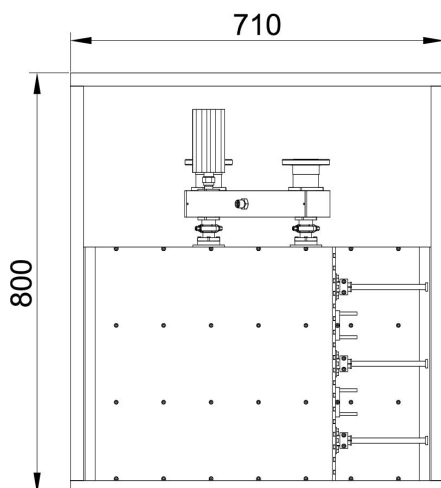
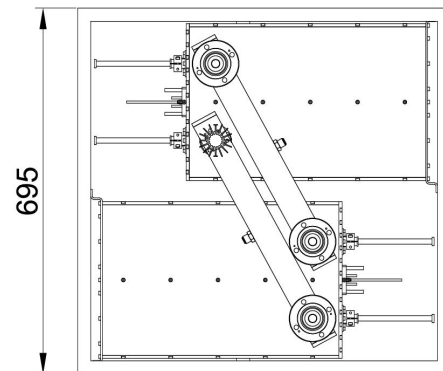
- Heat Sinks
- Forced Air Cooling
- Liquid Cooling
- Customized Layout and Frame

SPECIFICATIONS

PRODUCT CODE	CIB36140
TYPE	Constant Impedance
No. of POLES	6-pole heliportical
CAVITY SIZE	140 mm
DISTANCE BETWEEN CHANNELS	Adjacent block
TEMPERATURE STABILITY	< 1 kHz/°K
MAX OPERATING TEMPERATURE (body)	65 °C (149 °F)
TEMPERATURE OPERATING ENVIRONMENT	-5 ÷ 50 °C 23 ÷ 122 °F
CONNECTIONS ⁽²⁾ & CODES CIB36140-xyz where:	2 → 7/16 female 4 → 7/8" flange 6 → 7/8" unflanged 8 → 1 5/8" flange A → 1 5/8" unflanged
x – narrowband input	
y – broadband input	
z – output	

ELECTRICAL DATA

FREQUENCY RANGE	174 ÷ 240 MHz
MAXIMUM NB RMS INPUT POWER ⁽³⁾	3000 W^(4; 6)
MAXIMUM RMS OUTPUT POWER ⁽³⁾	10 kW⁽⁶⁾
INSERTION LOSS BB @ F0	< 0.1 dB⁽⁵⁾
INSERTION LOSS NB @ F0	< 0.9 dB⁽⁵⁾
INSERTION LOSS NB @ F0 ± 0.77 MHz	< 2.1 dB⁽⁵⁾
ATTENUATION @ F0 ± 0.97 MHz	> 16 dB⁽⁵⁾
ATTENUATION @ F0 ± 1.77 MHz	> 45 dB⁽⁵⁾
ATTENUATION @ F0 ± 2.20 MHz	> 53 dB⁽⁵⁾
ATTENUATION @ F0 ± 3.00 MHz	> 53 dB⁽⁵⁾
BANDWIDTH	1.54 MHz
RETURN LOSS (VSWR)	< -26 dB (< 1:1.10)
ISOLATION BETWEEN CHANNELS	> 30 dB
GROUP DELAY VARIATION	< 900 ns

DIMENSIONAL DETAIL

DIMENSIONS
**710x695x800 mm
28x27.4x31.5 "**
WEIGHT
100 Kg (220 lbs)


⁽¹⁾ Default configuration ⁽²⁾ Other connections available ⁽³⁾ Altitude < 1525 mt (5000 ft) ⁽⁴⁾ Higher power rate with Heat Sinks or Forced Air Cooling options
⁽⁵⁾ Other tuning configuration available ⁽⁶⁾ According to the connector's type