
**PRODUCT FEATURES**
**DAB 6-pole 98mm Constant Impedance Combiner**

- Dual Cross-Coupling
- Full-band tunable
- DC-Short
- Temperature compensated
- Stainless steel frame

**OPTIONS**

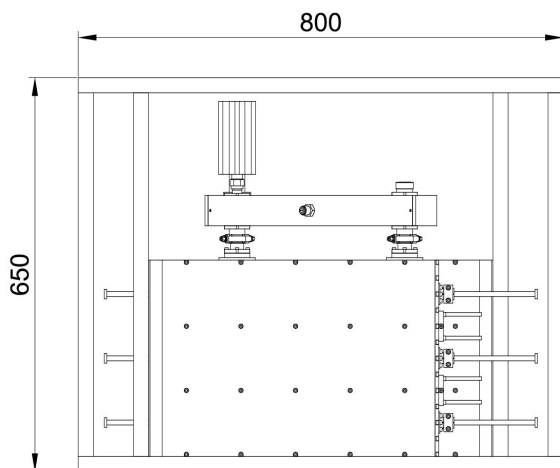
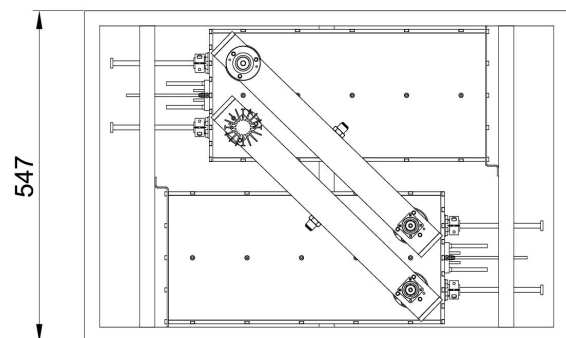
- Heat Sinks
- Forced Air Cooling
- Liquid Cooling
- Customized Layout and Frame

**SPECIFICATIONS**

PRODUCT CODE	<b>CIB36098</b>
TYPE	<b>Constant Impedance</b>
No. of POLES	<b>6-pole heliportical</b>
CAVITY SIZE	<b>98 mm</b>
DISTANCE BETWEEN CHANNELS	<b>Adjacent block</b>
TEMPERATURE STABILITY	<b>&lt; 1 kHz/°K</b>
MAX OPERATING TEMPERATURE (body)	<b>65 °C (149 °F)</b>
TEMPERATURE OPERATING ENVIRONMENT	<b>-5 ÷ 50 °C 23 ÷ 122 °F</b>
CONNECTIONS <sup>(2)</sup> & CODES CIB36098-xyz where:	<b>2 → 7/16 female 4 → 7/8" flange 6 → 7/8" unflanged 8 → 1 5/8" flange A → 1 5/8" unflanged</b>
	<b>x – narrowband input y – broadband input z – output</b>

**ELECTRICAL DATA**

FREQUENCY RANGE	<b>174 ÷ 240 MHz</b>
MAXIMUM NB RMS INPUT POWER <sup>(3)</sup>	<b>1600 W<sup>(4; 6)</sup></b>
MAXIMUM RMS OUTPUT POWER <sup>(3)</sup>	<b>10 kW<sup>(6)</sup></b>
INSERTION LOSS BB @ F0	<b>&lt; 0.1 dB<sup>(5)</sup></b>
INSERTION LOSS NB @ F0	<b>&lt; 1.0 dB<sup>(5)</sup></b>
INSERTION LOSS NB @ F0 ± 0.77 MHz	<b>&lt; 2.3 dB<sup>(5)</sup></b>
ATTENUATION @ F0 ± 0.97 MHz	<b>&gt; 15 dB<sup>(5)</sup></b>
ATTENUATION @ F0 ± 1.77 MHz	<b>&gt; 45 dB<sup>(5)</sup></b>
ATTENUATION @ F0 ± 2.20 MHz	<b>&gt; 50 dB<sup>(5)</sup></b>
ATTENUATION @ F0 ± 3.00 MHz	<b>&gt; 50 dB<sup>(5)</sup></b>
BANDWIDTH	<b>1.54 MHz</b>
RETURN LOSS (VSWR)	<b>&lt; -26 dB (&lt; 1:1.10)</b>
ISOLATION BETWEEN CHANNELS	<b>&gt; 30 dB</b>
GROUP DELAY VARIATION	<b>&lt; 900 ns</b>

**DIMENSIONAL DETAIL**

**DIMENSIONS**
**800x547x650 mm  
31.5x21.5x25.6 "**
**WEIGHT**
**80 Kg (176 lbs)**


<sup>(1)</sup> Default configuration <sup>(2)</sup> Other connections available <sup>(3)</sup> Altitude < 1525 mt (5000 ft) <sup>(4)</sup> Higher power rate with Heat Sinks or Forced Air Cooling options  
<sup>(5)</sup> Other tuning configuration available <sup>(6)</sup> According to the connector's type