
PRODUCT FEATURES
DAB 6-pole 78mm Constant Impedance Combiner

- Dual Cross-Coupling
- Full-band tunable
- DC-Short
- Temperature compensated
- Stainless steel frame

OPTIONS

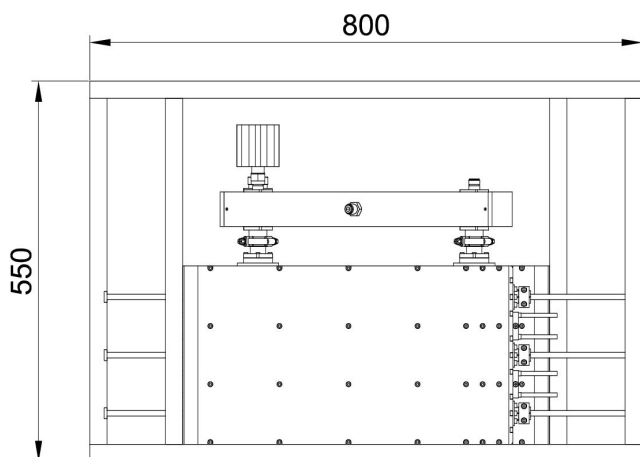
- Heat Sinks
- Forced Air Cooling
- 19" rack frame supports
- Customized Layout and Frame

SPECIFICATIONS

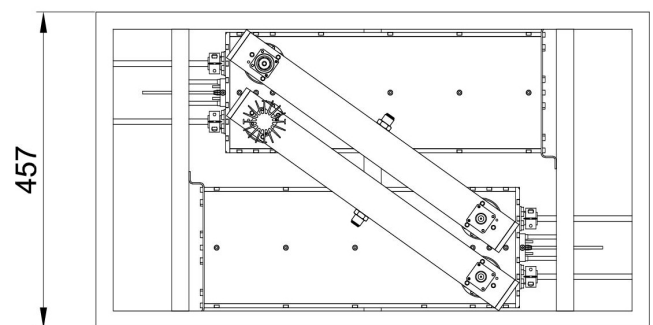
PRODUCT CODE	CIB36078
TYPE	Constant Impedance
No. of POLES	6-pole heliptycal
CAVITY SIZE	78 mm
DISTANCE BETWEEN CHANNELS	Adjacent block
TEMPERATURE STABILITY	< 1 kHz/°K
MAX OPERATING TEMPERATURE (body)	65 °C (149 °F)
TEMPERATURE OPERATING ENVIRONMENT	-5 ÷ 50 °C 23 ÷ 122 °F
CONNECTIONS ⁽²⁾ & CODES CIB36078- xyz where:	2 → 7/16 female 4 → 7/8" flange 6 → 7/8" unflanged 8 → 1 5/8" flange A → 1 5/8" unflanged
x – narrowband input	
y – broadband input	
z – output	

ELECTRICAL DATA

FREQUENCY RANGE	174 ÷ 240 MHz
MAXIMUM NB RMS INPUT POWER ⁽³⁾	800 W ^(4; 6)
MAXIMUM RMS OUTPUT POWER ⁽³⁾	10 kW ⁽⁶⁾
INSERTION LOSS BB @ F0	< 0.1 dB ⁽⁵⁾
INSERTION LOSS NB @ F0	< 1.1 dB ⁽⁵⁾
INSERTION LOSS NB @ F0 ± 0.77 MHz	< 2.4 dB ⁽⁵⁾
ATTENUATION @ F0 ± 0.97 MHz	> 15 dB ⁽⁵⁾
ATTENUATION @ F0 ± 1.77 MHz	> 45 dB ⁽⁵⁾
ATTENUATION @ F0 ± 2.20 MHz	> 50 dB ⁽⁵⁾
ATTENUATION @ F0 ± 3.00 MHz	> 50 dB ⁽⁵⁾
BANDWIDTH	1.54 MHz
RETURN LOSS (VSWR)	< -26 dB (< 1:1.10)
ISOLATION BETWEEN CHANNELS	> 30 dB
GROUP DELAY VARIATION	< 900 ns

DIMENSIONAL DETAIL


DIMENSIONS	800x457x550 mm 31.5x18x21.7 "
WEIGHT	65 Kg (143 lbs)



⁽¹⁾ Default configuration ⁽²⁾ Other connections available ⁽³⁾ Altitude < 1525 mt (5000 ft) ⁽⁴⁾ Higher power rate with Heat Sinks or Forced Air Cooling options
⁽⁵⁾ Other tuning configuration available ⁽⁶⁾ According to the connector's type