


**PRODUCT FEATURES**
**DAB 6-pole 140mm Starpoint Combiner**

- Dual Cross-Coupling
- Full-band tunable
- DC-Short
- Temperature compensated
- Stainless steel frame

**OPTIONS**

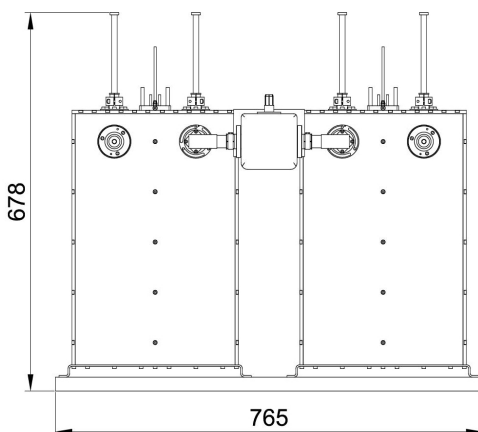
- Heat Sinks
- Forced Air Cooling
- Liquid Cooling
- Customized Layout and Frame
- Multiple inputs configurations available

**SPECIFICATIONS**

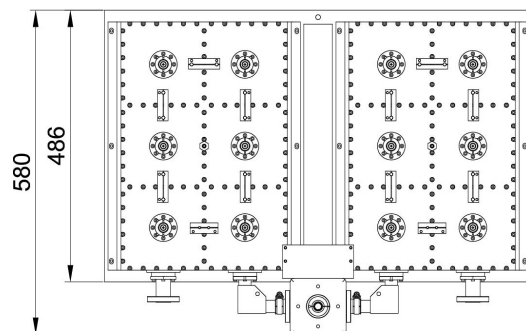
<i>PRODUCT CODE</i>	<b>2SC36140</b>
<i>TYPE</i>	<b>Starpoint</b>
<i>No. of POLES</i>	<b>6-pole heliptycal</b>
<i>CAVITY SIZE</i>	<b>140 mm</b>
<i>DISTANCE BETWEEN CHANNELS</i>	<b>1 Guard block</b>
<i>TEMPERATURE STABILITY</i>	<b>&lt; 1 kHz/°K</b>
<i>MAX OPERATING TEMPERATURE (body)</i>	<b>65 °C (149 °F)</b>
<i>TEMPERATURE OPERATING ENVIRONMENT</i>	<b>-5 ÷ 50 °C 23 ÷ 122 °F</b>
<i>CONNECTIONS<sup>(2)</sup> &amp; CODES</i> 2SC36140-xy where: x – inputs y – output	<b>2 → 7/16 female 4 → 7/8" flange 6 → 7/8" unflanged 8 → 1 5/8" flange A → 1 5/8" unflanged C → 3 1/8" flange E → 3 1/8" unflanged</b>

**ELECTRICAL DATA**

<i>FREQUENCY RANGE</i>	<b>174 ÷ 240 MHz</b>
<i>MAXIMUM RMS INPUT POWER<sup>(3)</sup></i>	<b>1500 W<sup>(4, 6)</sup></b>
<i>MAXIMUM RMS OUTPUT POWER<sup>(3)</sup></i>	<b>3000 W<sup>(6)</sup></b>
<i>INSERTION LOSS @ F0</i>	<b>&lt; 0.9 dB<sup>(5)</sup></b>
<i>INSERTION LOSS @ F0 ± 0.77 MHz</i>	<b>&lt; 2.0 dB<sup>(5)</sup></b>
<i>ATTENUATION @ F0 ± 0.97 MHz</i>	<b>&gt; 16 dB<sup>(5)</sup></b>
<i>ATTENUATION @ F0 ± 1.77 MHz</i>	<b>&gt; 45 dB<sup>(5)</sup></b>
<i>ATTENUATION @ F0 ± 2.20 MHz</i>	<b>&gt; 53 dB<sup>(5)</sup></b>
<i>ATTENUATION @ F0 ± 3.00 MHz</i>	<b>&gt; 53 dB<sup>(5)</sup></b>
<i>BANDWIDTH</i>	<b>1.54 MHz</b>
<i>RETURN LOSS (VSWR)</i>	<b>&lt; -26 dB (&lt; 1:1.10)</b>
<i>ISOLATION BETWEEN CHANNELS</i>	<b>&gt; 40 dB</b>
<i>GROUP DELAY VARIATION</i>	<b>&lt; 900 ns</b>

**DIMENSIONAL DETAIL**


<i>DIMENSIONS</i>	<b>580x765x678 mm 22.8x30.1x26.7"</b>
<i>WEIGHT</i>	<b>75 Kg (165 lbs)</b>



<sup>(1)</sup> Default configuration <sup>(2)</sup> Other connections available <sup>(3)</sup> Altitude < 1525 mt (5000 ft) <sup>(4)</sup> Higher power rate with Heat Sinks or Forced Air Cooling options  
<sup>(5)</sup> Other tuning configuration available <sup>(6)</sup> According to the connector's type