


PRODUCT FEATURES
DAB 6-pole 78mm Starpoint Combiner

- Dual Cross-Coupling
- Full-band tunable
- DC-Short
- Temperature compensated
- Stainless steel frame

OPTIONS

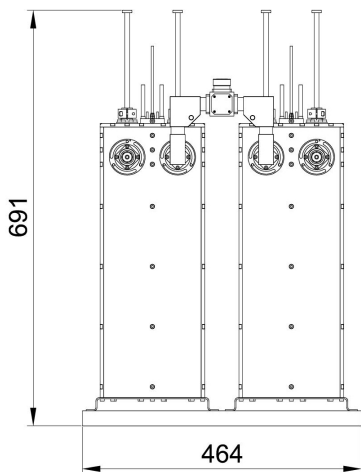
- Heat Sinks
- Forced Air Cooling
- 19" rack frame supports
- Multiple inputs configurations available

SPECIFICATIONS

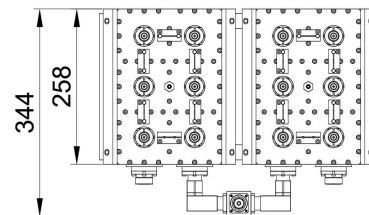
<i>PRODUCT CODE</i>	2SC36078
<i>TYPE</i>	Starpoint
<i>No. of POLES</i>	6-pole heliplital
<i>CAVITY SIZE</i>	78 mm
<i>DISTANCE BETWEEN CHANNELS</i>	1 Guard block
<i>TEMPERATURE STABILITY</i>	< 1 kHz/°K
<i>MAX OPERATING TEMPERATURE (body)</i>	65 °C (149 °F)
<i>TEMPERATURE OPERATING ENVIRONMENT</i>	-5 ÷ 50 °C 23 ÷ 122 °F
<i>CONNECTIONS⁽²⁾ & CODES</i> 2SC36078-xy where: x – inputs y – output	2 → 7/16 female 4 → 7/8" flange 6 → 7/8" unflanged 8 → 1 5/8" flange A → 1 5/8" unflanged

ELECTRICAL DATA

<i>FREQUENCY RANGE</i>	174 ÷ 240 MHz
<i>MAXIMUM RMS INPUT POWER⁽³⁾</i>	400 W^(4; 6)
<i>MAXIMUM RMS OUTPUT POWER⁽³⁾</i>	800 W⁽⁶⁾
<i>INSERTION LOSS @ F0</i>	< 1.1 dB⁽⁵⁾
<i>INSERTION LOSS @ F0 ± 0.77 MHz</i>	< 2.3 dB⁽⁵⁾
<i>ATTENUATION @ F0 ± 0.97 MHz</i>	> 15 dB⁽⁵⁾
<i>ATTENUATION @ F0 ± 1.77 MHz</i>	> 45 dB⁽⁵⁾
<i>ATTENUATION @ F0 ± 2.20 MHz</i>	> 50 dB⁽⁵⁾
<i>ATTENUATION @ F0 ± 3.00 MHz</i>	> 50 dB⁽⁵⁾
<i>BANDWIDTH</i>	1.54 MHz
<i>RETURN LOSS (VSWR)</i>	< -26 dB (< 1:1.10)
<i>ISOLATION BETWEEN CHANNELS</i>	> 30 dB
<i>GROUP DELAY VARIATION</i>	< 850 ns

DIMENSIONAL DETAIL


<i>DIMENSIONS</i>	345x464x691 mm 13.6x18.3x27.2 "
<i>WEIGHT</i>	42 Kg (96 lbs)



⁽¹⁾ Default configuration ⁽²⁾ Other connections available ⁽³⁾ Altitude < 1525 mt (5000 ft) ⁽⁴⁾ Higher power rate with Heat Sinks or Forced Air Cooling options
⁽⁵⁾ Other tuning configuration available ⁽⁶⁾ According to the connector's type