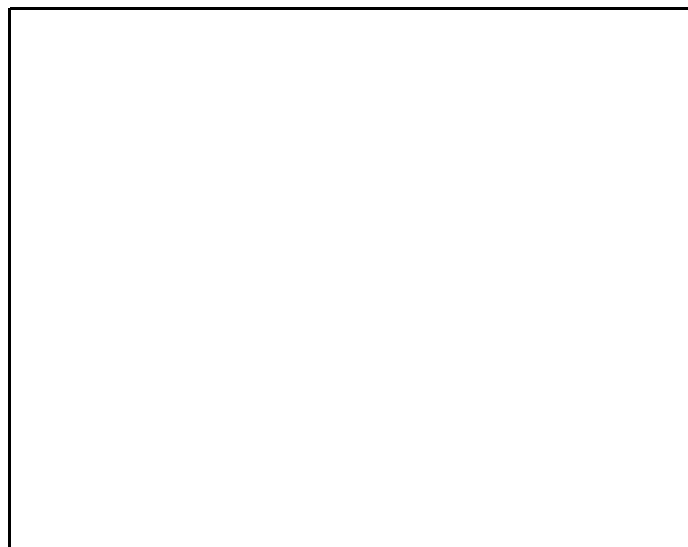
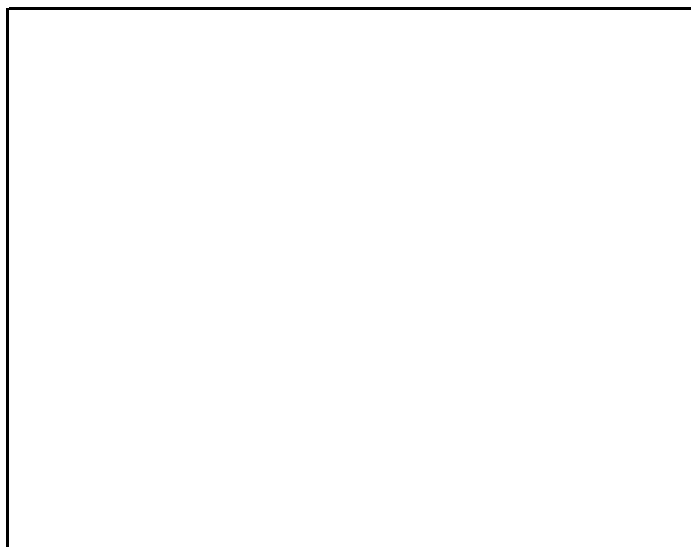
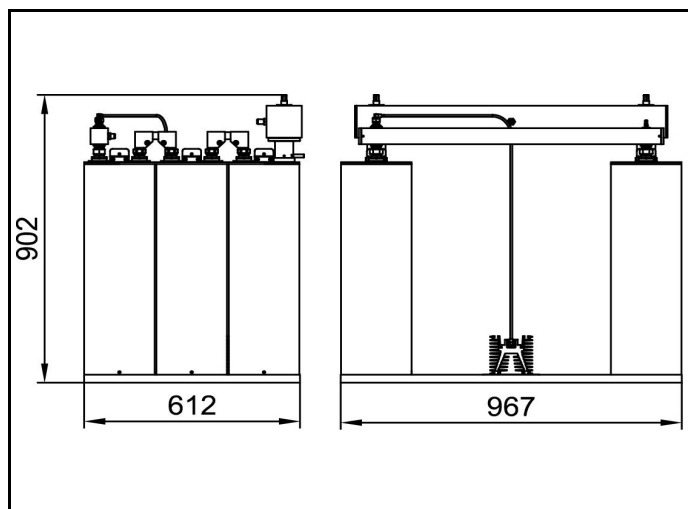
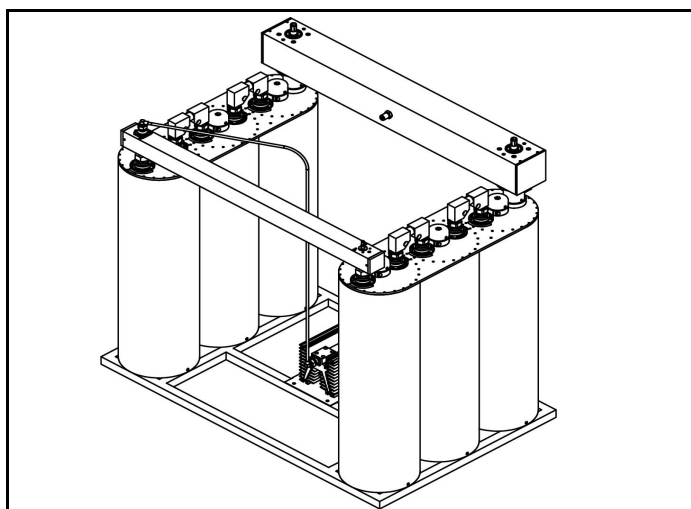


**PART NUMBER:** 20071/3-DP158

**TITLE:** 2+13kW COMBINER BRIDGE DIPLEXER (TRIPLE CAVITY)



**ELECTRICAL CHARACTERISTICS**

Frequency Range (MHz)	87.5 ÷ 108
N.B. Insertion Loss (dB)	< 0.75
B.B. Insertion Loss (dB)	< 0.2
Min. distance between channels (MHz)	0.8
Insulation NB>BB (dB)	> 40
Insulation BB>NB (dB)	> 40
Return loss by channels (dB)	> 26
Input/Output impedance (Ohm)	50
Narrowband maximum power (W)	2000
Maximum output power (W)	15000

**MECHANICAL CHARACTERISTICS**

Input narrowband	EIA 7/8"
Input broadband	EIA 1 5/8"
Output	EIA 1 5/8"
Temperature range (C°)	-10 ÷ 50
Weight (kg)	77

(\*) Different connectors on request.