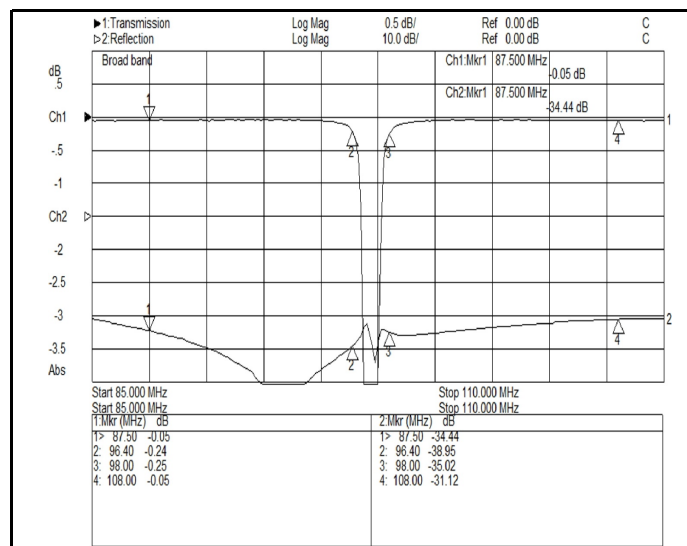
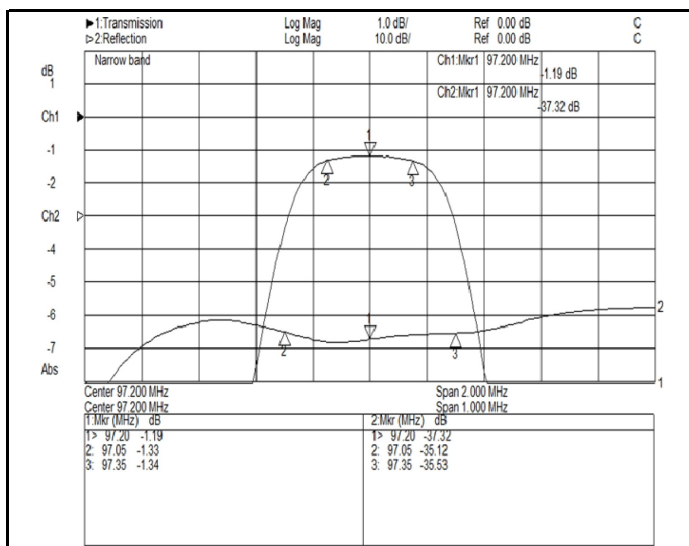
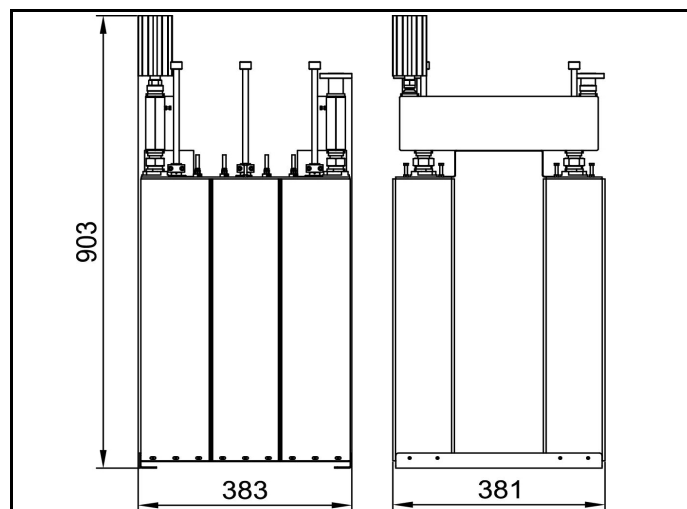
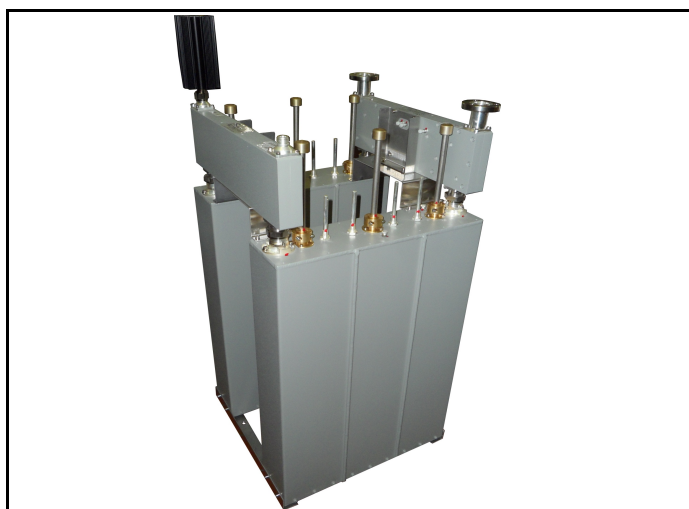


PART NUMBER: 20000/3-DPT

TITLE: 600W+3kW COMBINER BRIDGE DIPLEXER (TRIPLE CAVITY)



ELECTRICAL CHARACTERISTICS

Frequency Range (MHz)	87.5 ÷ 108
N.B. Insertion Loss (dB)	< 1.45
B.B. Insertion Loss (dB)	< 0.25
Min. distance between channels (MHz)	0.8
Insulation NB>BB (dB)	> 40
Insulation BB>NB (dB)	> 50
Return loss by channels (dB)	> 26
Input/Output impedance (Ohm)	50
Narrowband maximum power (W)	600
Maximum output power (W)	3600

MECHANICAL CHARACTERISTICS

Input narrowband	DIN 7/16
Input broadband	EIA 7/8"
Output	EIA 7/8"
Temperature range (C°)	-10 ÷ 50
Weight (kg)	30

(*) Different connectors on request.