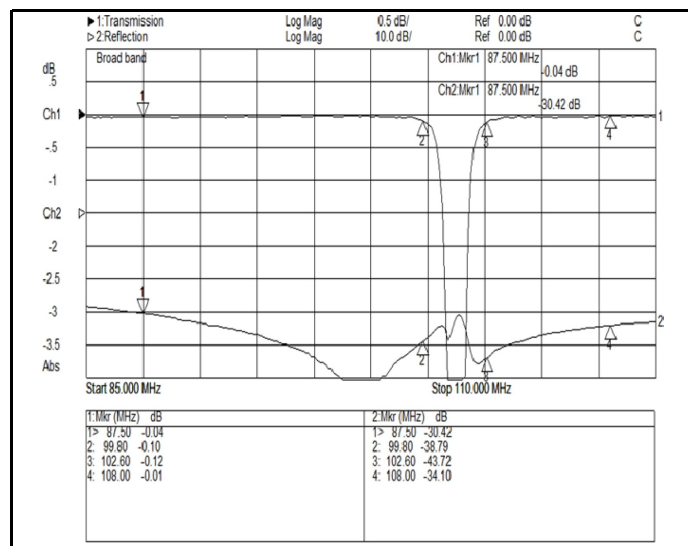
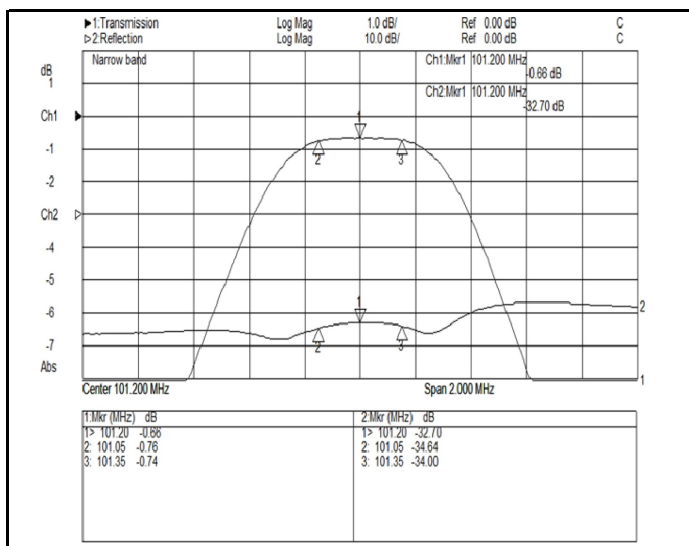
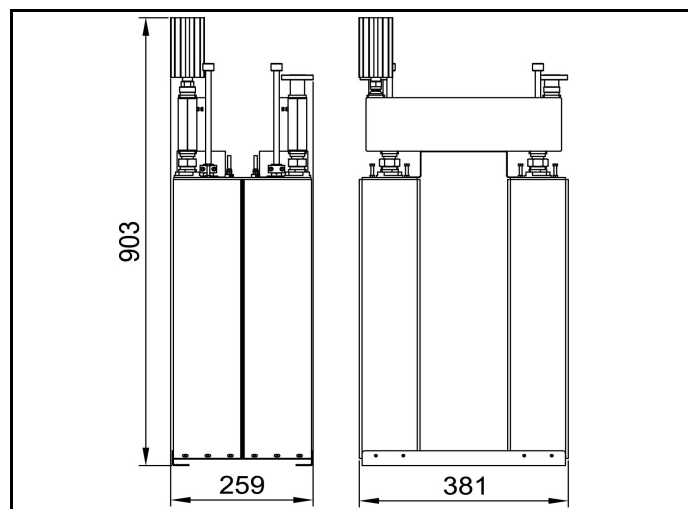
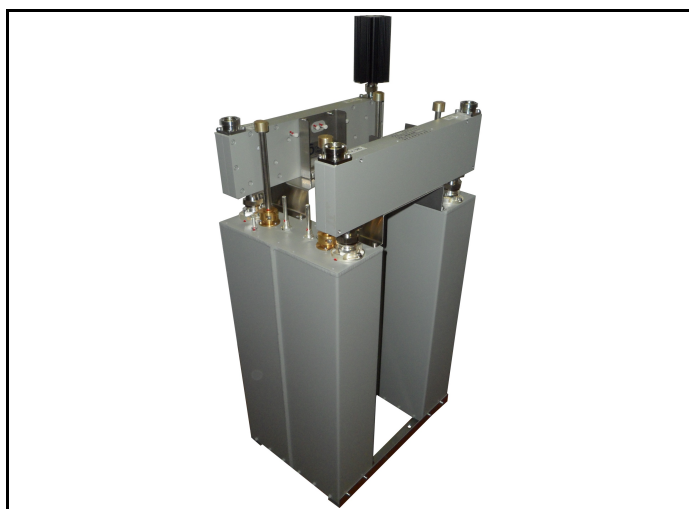


**PART NUMBER:** 20000-DPT

**TITLE:** 600W+3kW COMBINER BRIDGE DIPLEXER (DOUBLE CAVITY)



**ELECTRICAL CHARACTERISTICS**

Frequency Range (MHz)	87.5 ÷ 108
N.B. Insertion Loss (dB)	< 0.85
B.B. Insertion Loss (dB)	< 0.2
Min. distance between channels (MHz)	1.4
Insulation NB>BB (dB)	> 40
Insulation BB>NB (dB)	> 40
Return loss by channels (dB)	> 26
Input/Output impedance (Ohm)	50
Narrowband maximum power (W)	600
Maximum output power (W)	3600

**MECHANICAL CHARACTERISTICS**

Input narrowband	DIN 7/16
Input broadband	EIA 7/8"
Output	EIA 7/8"
Temperature range (C°)	-10 ÷ 50
Weight (kg)	20

(\*) Different connectors on request.