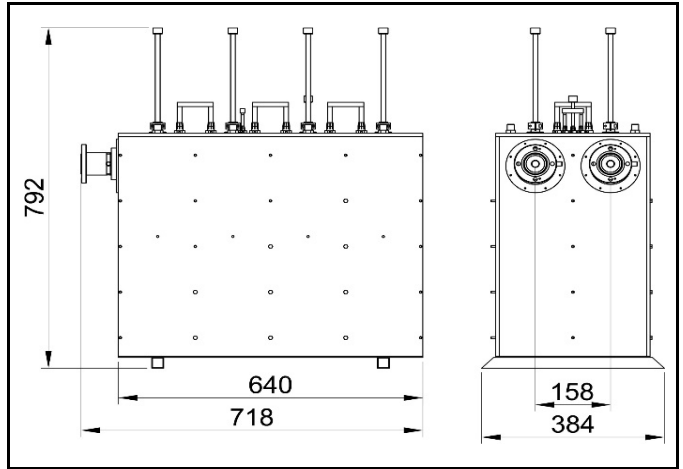


PART NUMBER: 1688-8-2N

TITLE: 5kW VHF/DTV 8 POLES BAND PASS FILTER

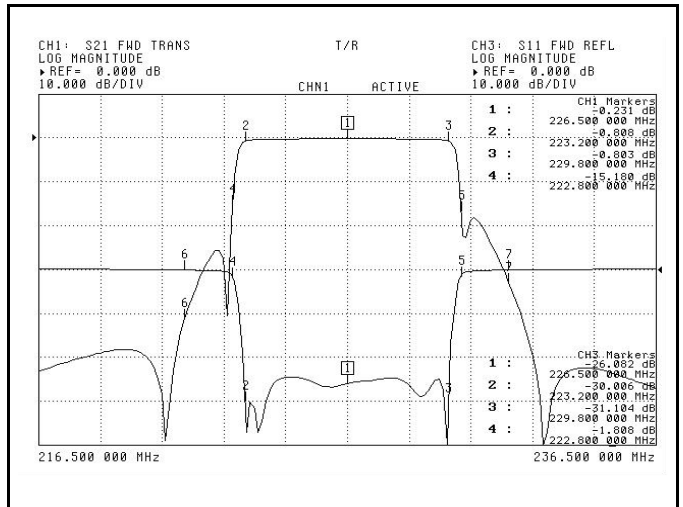
CRITICAL MASK



Tunable within whole VHF range.
For 6,7 MHz channel bandwidth.
DC block.
Different connectors on request.

Connectors:	EIA 1 5/8"
Max operating temperature (C°):	70
Temperature stability (kHz/K):	< 2
Weight (kg):	55

DVB-T @ 7 MHz	
Frequency Range (MHz)	170 ÷ 240
Insertion Loss (dB) @ fo	< 0.25
Insertion Loss (dB) @ fo ± 3.3 MHz	< 1
Attenuation @ fo ± 3.7 MHz (dB)	> 14
Attenuation @ fo ± 5.25 MHz (dB)	> 26
Attenuation @ fo ± 10.5 MHz (dB)	> 51
Maximum Amplitude Variation (dB)	0.6
Return Loss (dB)	> 26
Input/Output Impedance (Ohm)	50
Maximum Input Power (W)	5000 (RMS)
Max. Group Delay Variation (ns)	500



ISDB-T @ 6 MHz	
Frequency Range (MHz)	170 ÷ 240
Insertion Loss (dB) @ fo	< 0.35
Insertion Loss (dB) @ fo ± 2.79 MHz	< 1
Attenuation @ fo ± 3.15 MHz (dB)	> 15
Attenuation @ fo ± 4.5 MHz (dB)	> 31
Attenuation @ fo ± 9 MHz (dB)	> 61
Maximum Amplitude Variation (dB)	0.65
Return Loss (dB)	> 24
Input/Output Impedance (Ohm)	50
Maximum Input Power (W)	5000 (RMS)
Max. Group Delay Variation (ns)	400

ATSC @ 6 MHz	
Frequency Range (MHz)	170 ÷ 240
Insertion Loss (dB) @ fo	< 0.3
Insertion Loss (dB) @ fo ± 2.9 MHz	< 0.9
Attenuation @ fo ± 3.5 MHz (dB)	> 15
Attenuation @ fo ± 6 MHz (dB)	> 45
Attenuation @ fo ± 9 MHz (dB)	> 63
Maximum Amplitude Variation (dB)	0.6
Return Loss (dB)	> 24
Input/Output Impedance (Ohm)	50
Maximum Input Power (W)	5000 (RMS)
Max. Group Delay Variation (ns)	300