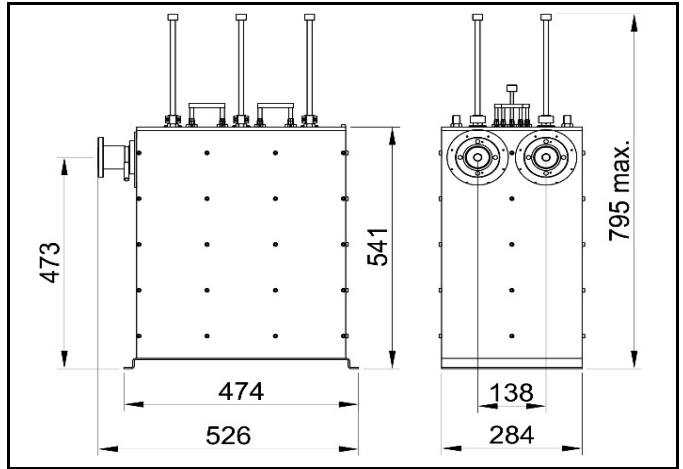


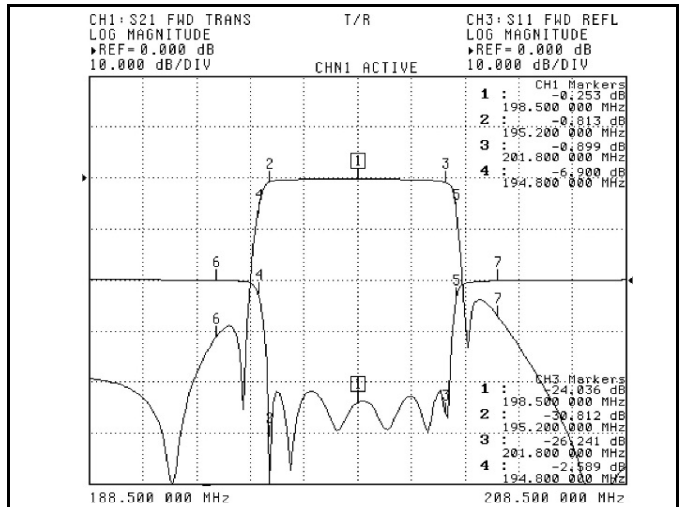
PART NUMBER: 1685-6
TITLE: 3kW VHF/DTV 6 POLES BAND PASS FILTER
 UNCRITICAL MASK



Tunable within whole VHF range.
 For 6,7 MHz channel bandwidth.
 DC block.
 Different connectors on request.

Connectors:	EIA 1 5/8"
Max operating temperature (C°):	70
Temperature stability (kHz/K):	< 2
Weight (kg):	43

DVB-T @ 7 MHz	
Frequency Range (MHz)	170 ÷ 240
Insertion Loss (dB) @ fo	< 0.3
Insertion Loss (dB) @ fo ± 3.3 MHz	< 0.9
Attenuation @ fo ± 3.7 MHz (dB)	> 5
Attenuation @ fo ± 5.25 MHz (dB)	> 20
Attenuation @ fo ± 10.5 MHz (dB)	> 40
Maximum Amplitude Variation (dB)	0.6
Return Loss (dB)	> 26
Input/Output Impedance (Ohm)	50
Maximum Input Power (W)	3000 (RMS)
Max. Group Delay Variation (ns)	380



ISDB-T @ 6 MHz	
Frequency Range (MHz)	170 ÷ 240
Insertion Loss (dB) @ fo	< 0,35
Insertion Loss (dB) @ fo ± 2.79 MHz	< 0,95
Attenuation @ fo ± 3.15 MHz (dB)	> 5
Attenuation @ fo ± 4.5 MHz (dB)	> 20
Attenuation @ fo ± 9 MHz (dB)	> 45
Maximum Amplitude Variation (dB)	0,6
Return Loss (dB)	> 25
Input/Output Impedance (Ohm)	50
Maximum Input Power (W)	2800 (RMS)
Max. Group Delay Variation (ns)	460

ATSC @ 6 MHz	
Frequency Range (MHz)	170 ÷ 216
Insertion Loss (dB) @ fo	< 0,4
Insertion Loss (dB) @ fo ± 2.9 MHz	< 0,8
Attenuation @ fo ± 3.5 MHz (dB)	> 10
Attenuation @ fo ± 6 MHz (dB)	> 30
Attenuation @ fo ± 9 MHz (dB)	> 55
Maximum Amplitude Variation (dB)	0,4
Return Loss (dB)	> 26
Input/Output Impedance (Ohm)	50
Maximum Input Power (W)	3000 (RMS)
Max. Group Delay Variation (ns)	440