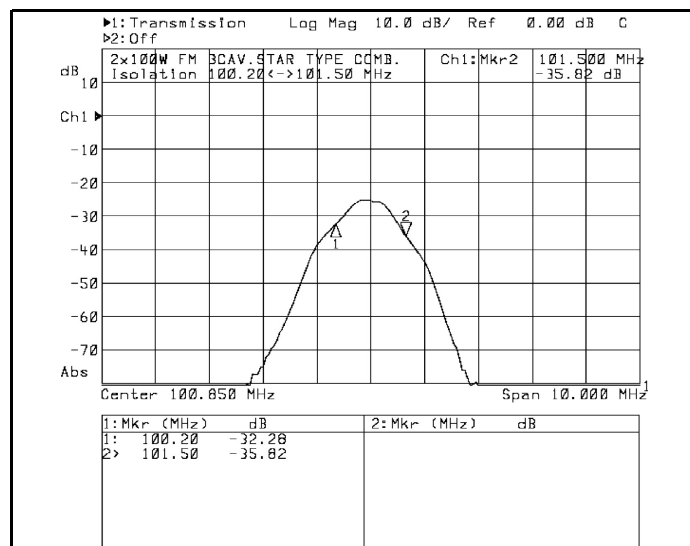
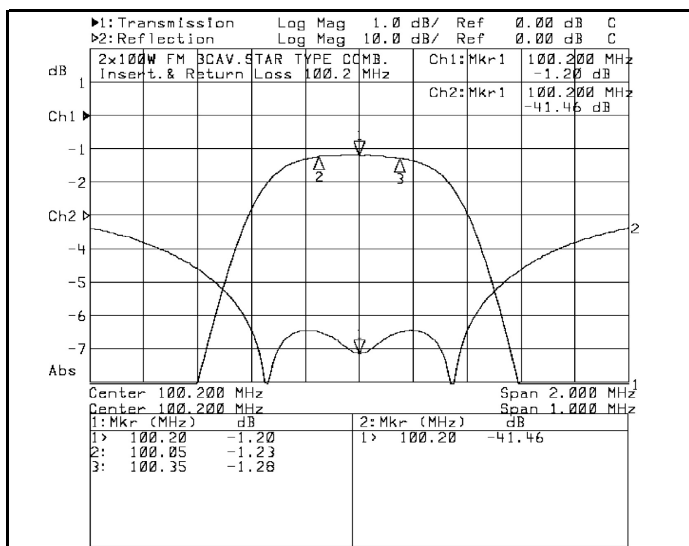
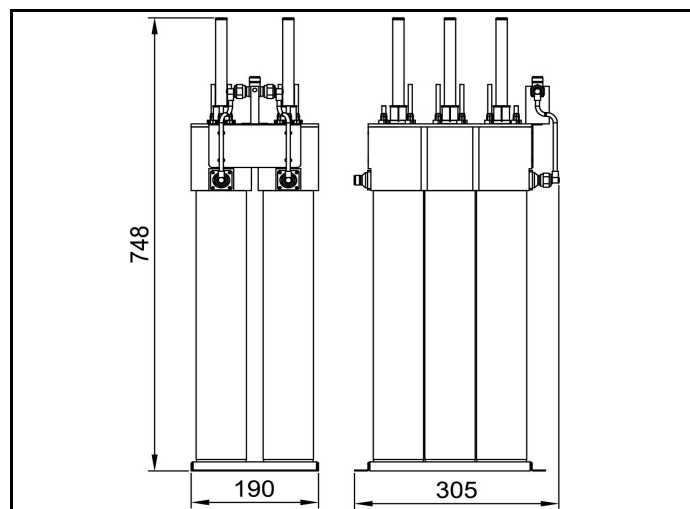


PART NUMBER: 1633/3-S2

TITLE: 2x100W TRIPLE CAVITY BAND PASS FILTER STAR COMBINER



ELECTRICAL CHARACTERISTICS	
Frequency Range (MHz)	87.5 ÷ 108
Insertion Loss by channels (dB)	< 1.25
Return loss by channels (dB)	> 26
Input/output impedance (Ohm)	50
Min. distance between channels (MHz)	1.2
Insulation between channels (dB)	> 30
Maximum channel input power (W)	100
Maximum output power (W)	200

MECHANICAL CHARACTERISTICS	
Input connection	N
Output connection	N
Temperature range (C°)	-10 ÷ 50
Weight (kg)	15

(*) Different connectors on request.