

PART NUMBER:

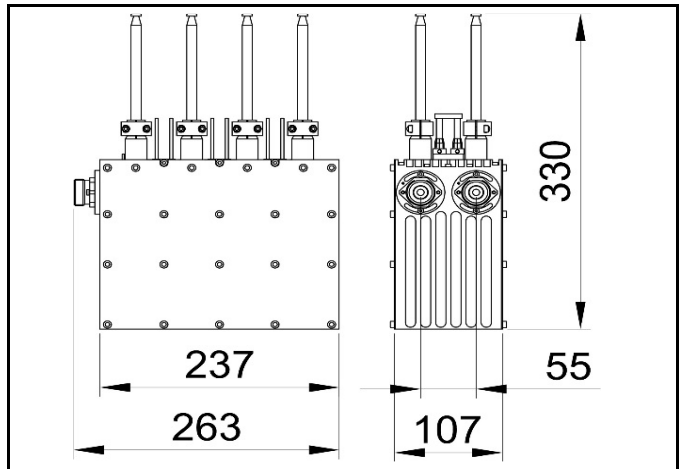
1468

TITLE:

**250W UHF/DTV 8 POLES BAND PASS FILTER
CROSS COUPLING CRITICAL MASK**

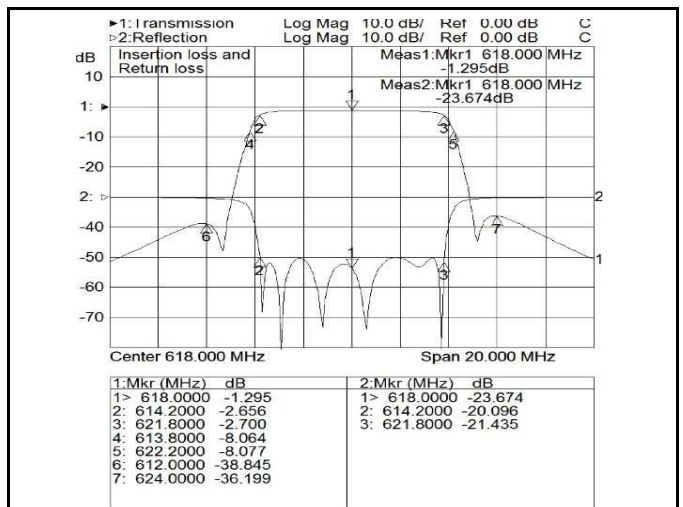


Tunable within whole UHF range.
For 6,7,8 MHz channel bandwidth.
DC block.
Different connectors on request.



Connectors:	DIN 7/16
Max operating temperature (C°):	70
Temperature stability (kHz/K):	< 2
Weight (kg):	8

DVB-T @ 8 MHz	
Frequency Range (MHz)	470 ÷ 862
Insertion Loss (dB) @ fo	< 1.5
Insert. Loss (dB) @ fo ± 3.805 MHz	< 2.7
Attenuation @ fo ± 4.2 MHz (dB)	> 8
Attenuation @ fo ± 6 MHz (dB)	> 35
Attenuation @ fo ± 12 MHz (dB)	> 55
Maximum Amplitude Variation (dB)	1.2
Return Loss (dB)	> 20
Input/Output Impedance (Ohm)	50
Maximum Input Power (W)	250 (RMS)
Max. Group Delay Variation (ns)	300



ISDB-T @ 6 MHz	
Frequency Range (MHz)	470 ÷ 862
Insertion Loss (dB) @ fo	< 1,6
Insertion Loss (dB) @ fo ± 2.79 MHz	< 2,8
Attenuation @ fo ± 3.15 MHz (dB)	> 8
Attenuation @ fo ± 4.5 MHz (dB)	> 35
Attenuation @ fo ± 9 MHz (dB)	> 55
Maximum Amplitude Variation (dB)	1,2
Return Loss (dB)	> 22
Input/Output Impedance (Ohm)	50
Maximum Input Power (W)	250 (RMS)
Max. Group Delay Variation (ns)	350

ATSC @ 6 MHz	
Frequency Range (MHz)	470 ÷ 862
Insertion Loss (dB) @ fo	< 1,55
Insertion Loss (dB) @ fo ± 2.9 MHz	< 2,7
Attenuation @ fo ± 3.5 MHz (dB)	> 7
Attenuation @ fo ± 6 MHz (dB)	> 35
Attenuation @ fo ± 9 MHz (dB)	> 63
Maximum Amplitude Variation (dB)	1,15
Return Loss (dB)	> 22
Input/Output Impedance (Ohm)	50
Maximum Input Power (W)	250 (RMS)
Max. Group Delay Variation (ns)	350